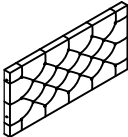
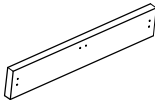




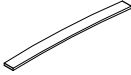




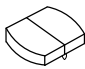



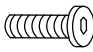
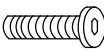
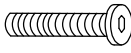
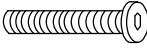

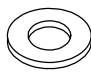



ASSEMBLY INSTRUCTIONS



Parts list

	#1 x1pc Headboard
	#2 x1pc Footboard
	#3 x2pcs Side rail
	#4 x2pcs Wings
	#5 x2pcs HB Leg
	#6 x2pcs FB Leg
	#7 x26pcs Slats
	#8 x1pc Support rail
	#9 x2pcs Support leg
	#10 x1pc Stretcher for
	#11 x26pcs End cop
	#12 x13pcs Canter plastic connector

Parts list

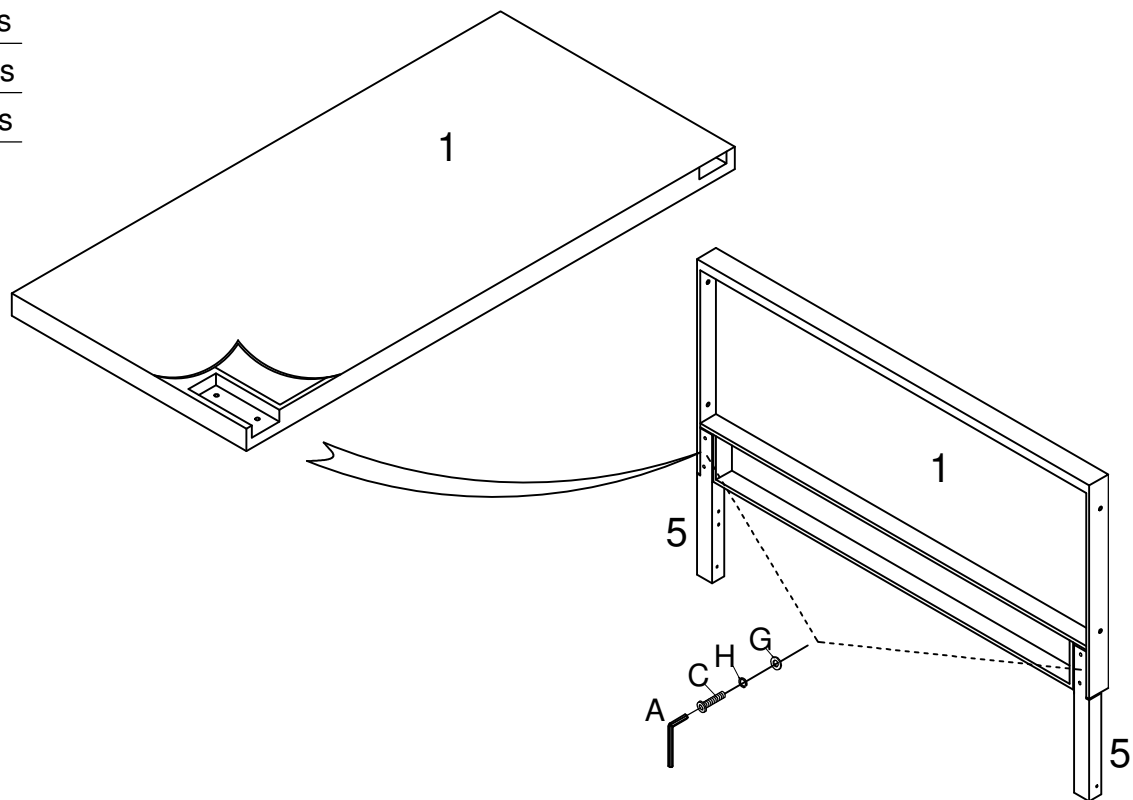
	#A x1pc Allen key
	#B x14pcs Bolt m8x30
	#C x14pcs Bolt m8x50
	#D x2pcs Bolt m8x75
	#E x2pcs Bolt m8x100
	#F x22pcs Flat washer M8x16
	#G x10pcs Flat washer M8x22
	#H x32pcs Spring washer
	#I x6pcs Nut
	#J x1pc Box wrench

Step 1

#C x 4pcs

#G x 4pcs

#H x 4pcs



Step 2

#C x 4pcs

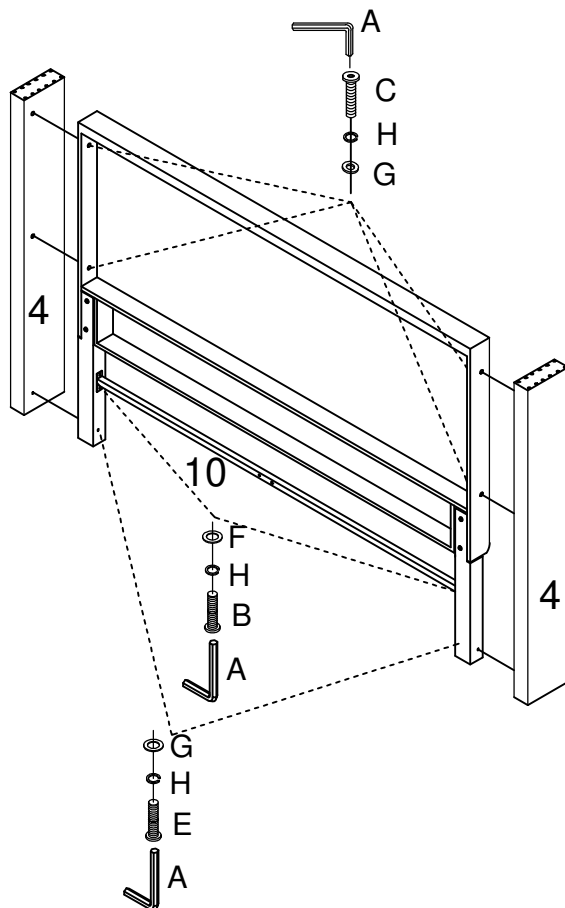
#B x 4pcs

#E x 2pcs

#F x 4pcs

#G x 6pcs

#H x 10pcs

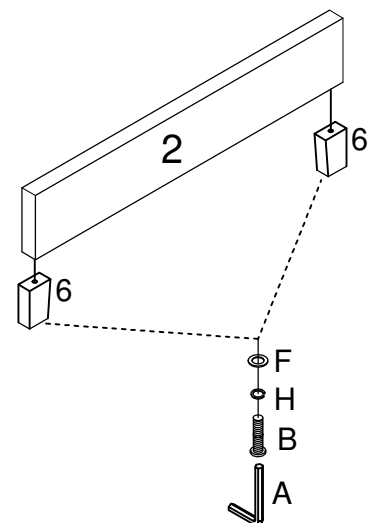


Step 3

#D x 2pcs

#F x 2pcs

#H x 2pcs

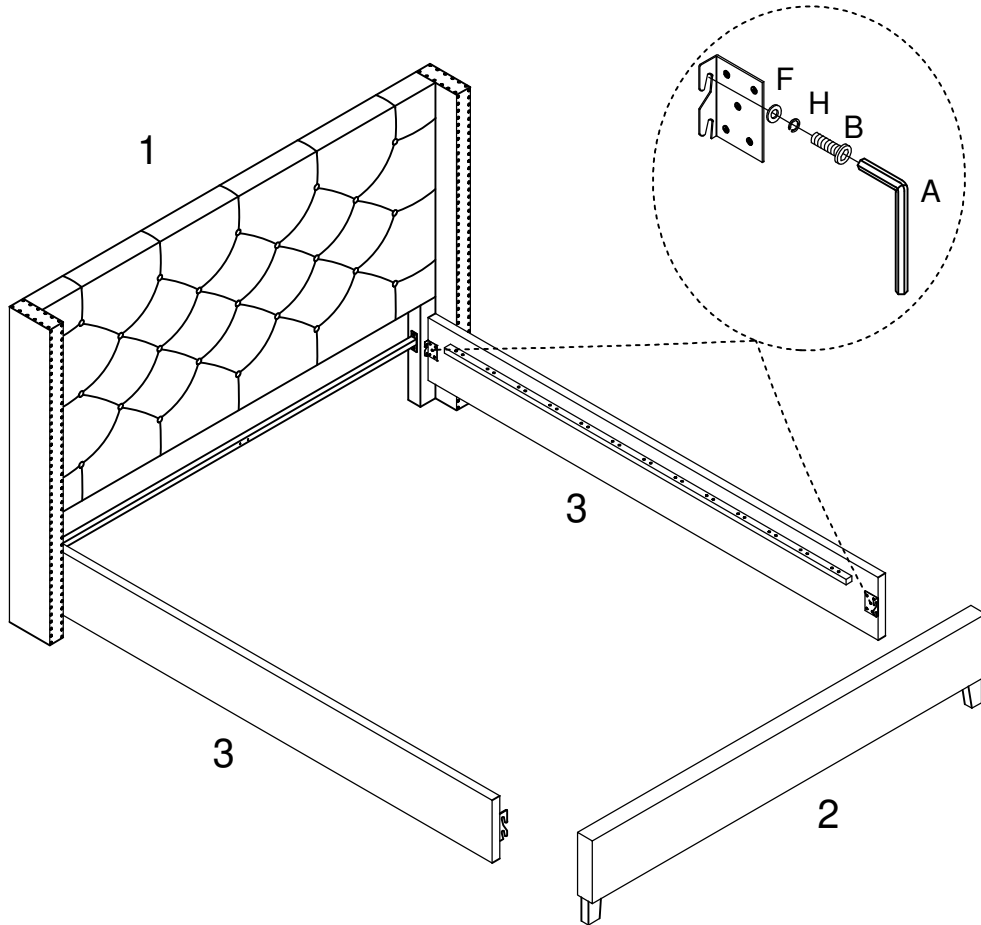


Step 4

#B x 8pcs

#F x 8pcs

#H x 8pcs



Step 5

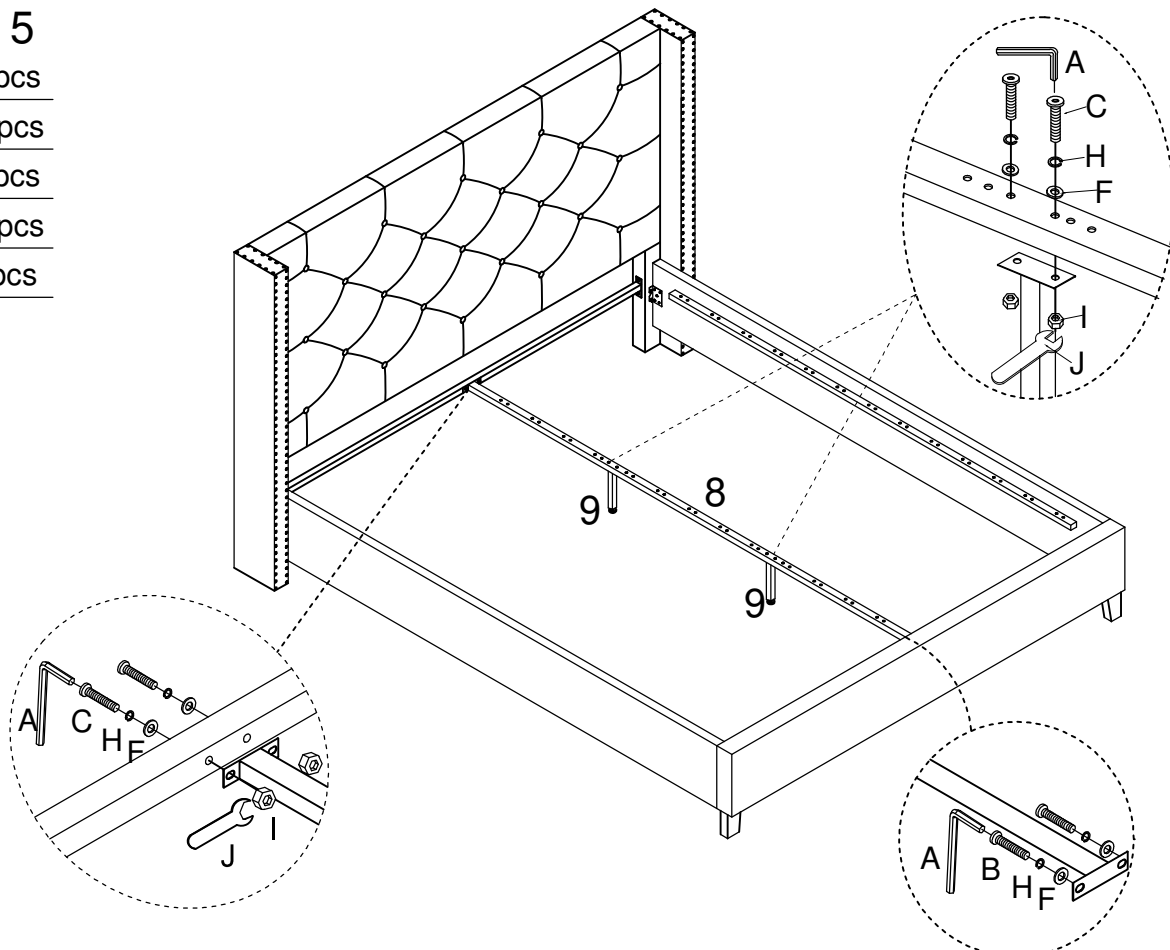
#B x 2pcs

#C x 6pcs

#F x 8pcs

#H x 8pcs

#I x 6pcs



Step 6

